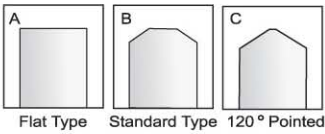
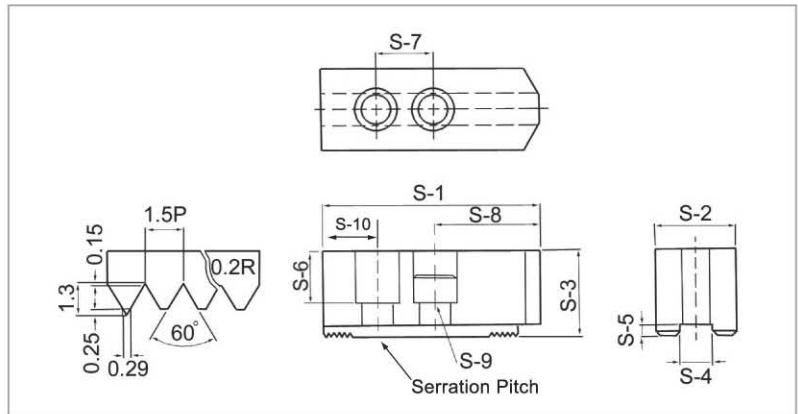


POM SOFT JAWS



A Flat Type B Standard Type C 120° Pointed

■ For other angle and dimensions, please find page 13.

DIMENSIONS

UNIT: mm

DIMENSION ORDER NUMBER	S-1	S-2	S-3	S-4	S-5	S-6	S-7	S-8	S-9	S-10	Serration Pitch	Excursus
SJ-P04023C	51	23	23	10	4	13	14	27	M8	10	1.5x60°	
SJ-P05027C	62	23	27	10	4	17	14	38	M8	10	1.5x60°	
SJ-P06030B	73	31	30	12	5	18	20	38	M10	15	1.5x60°	
SJ-P08037B	95	35	37	14	5	22	25	46	M12	24	1.5x60°	
SJ-P10042B	110	40	42	16	5	27	30	50	M12	30	1.5x60°	
SJ-P12048B	129	48	48	21(18)	5	28	30	60	M16(M14)	39	1.5x60°	
SJ-P15062A	165	62	62	22(25.5)	8(5)	37	43	85	M20	37	1.5x60°	
SJ-P18062A	165	62	62	22(25.5)	8(5)	37	43	85	M20	37	1.5x60°	

- Material: POM
- To suit kitagawa and other famous chucks.